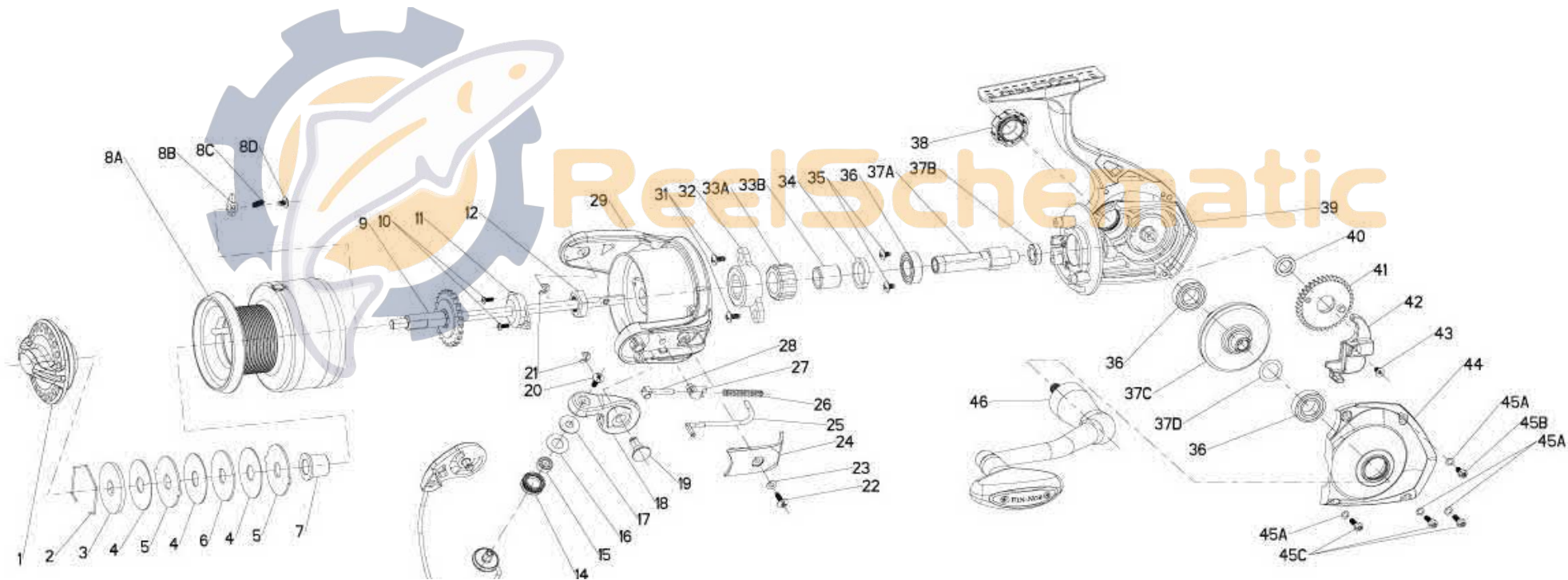


FIN-NOR[®]

LEGENDARY TACKLE SINCE 1933

Sportfisher FS30



FIN-NOR®

LEGENDARY TACKLE SINCE 1933

Sportfisher FS30

Fin-Nor Inshore FS30 Reel Part List

Key #	Description	Qty	Part No.	Key #	Description	Qty	Part No.
1	DRAG KNOB ASSEMBLY	1	CO332-01	25	KICK LEVER	1	CO019-01
2	SPOOL RETAINER	1	RQ038-01	26	ACTUATOR SPRING	1	JO022-01
3	DRAG WASHER - KEYED	1	CO080-02	27	ACTUATOR	1	JO258-01
4	DRAG WASHER - FRICTION	3	CO033-01	28	ACTUATOR SPRING PIN	1	JO031-01
5	DRAG WASHER - TABBED	2	CO081-01	29	ROTOR	1	CO009-01
6	DRAG WASHER KEYED	1	CO080-01	30	PINION GEAR WASHER	1	N/A
7	SPOOL BUSHING	1	CO160-01	31	SCREW - CLUTCH (2)	2	HO077-01
8	SPOOL ASSEMBLY KIT	1	CO4320-01	32	CLUTCH COVER	1	CO175-01
	8A - SPOOL ASSEMBLY	1	N/A	33	CLUTCH ASSEMBLY KIT	1	CO4178-01
	2 - SPOOL RETAINER	1	N/A		33A - CLUTCH HOUSING	1	N/A
	3 - DRAG WASHER - KEYED	1	N/A		33B - CLUTCH SLEEVE	1	N/A
	a	3	N/A	34	WASHER - ADJUST CLUTCH	1	PG042-01
	5 - DRAG WASHER - TABBED	2	N/A	35	SCREW - BEARING (2)	2	AQ108-01
	6 - DRAG WASHER - KEYED	1	N/A	36	BALL BEARING	1	KT158-01
	7 - SPOOL BUSHING	1	N/A	36	BALL BEARING	1	KT141-01
	8B - SPOOL CLICKER	1	N/A	36	BALL BEARING	1	RF058-02
	8C - CLICK SPRING	1	N/A	37	GEAR KIT	1	CO4011-01
	8D - SCREW - CLICKER	1	N/A		37A - PINION GEAR	1	N/A
9	MAINSHAFT ASSEMBLY	1	CO315-01		37B - PINION BUSHING	1	N/A
10	ROTOR NUT LOCK SCREW (2)	2	JO094-01		37C - DRIVE GEAR	1	N/A
11	MAINSHAFT BUSHING	1	CO214-01		37D - DRIVE GEAR ADJUST WASHER	1	N/A
12	ROTOR NUT	1	CO006-01	38	HANDLE CAP	1	CO073-01
13	BAIL ASSEMBLY	1	CO347-01	39	BODY	1	CO001-01
14	LINE ROLLER	1	CH004-01	40	OSCILLATOR GEAR BUSHING	1	N/A
15	LINE ROLLER BEARING	1	GH202-01	41	OSCILLATOR GEAR	1	CO053-01
16	LINE ROLLER WASHER	1	DH102-01	42	OSCILLATOR GEAR SLIDER	1	SQ025-01
17	LINE ROLLER COLLAR	1	CH102-01	43	MAIN SHAFT SCREW	1	RQ100-01
18	ARM LEVER	1	CO007-01	44	BODY COVER	1	CO023-01
19	PIN	1	PG042-01	45	BODY COVER SCREW KIT	1	CO4157-01
20	SCREW - LINE SLIDER	1	AQ108-01		45A - SCRATCH PROTECT WASHER (4)	4	N/A
21	E-CLIP - BAIL ASSEMBLY (2)	2	GH034-01		45B - BODY COVER SCREW (1)	1	N/A
22	ARM LEVER COVER SCREW	1	GU077-02A		45C - BODY COVER SCREW (3)	3	N/A
23	ARM LEVER COVER WASHER	1	RQ142-01	46	HANDLE ASSEMBLY	1	CO318-01
24	ARM LEVER COVER	1	CO087-01				